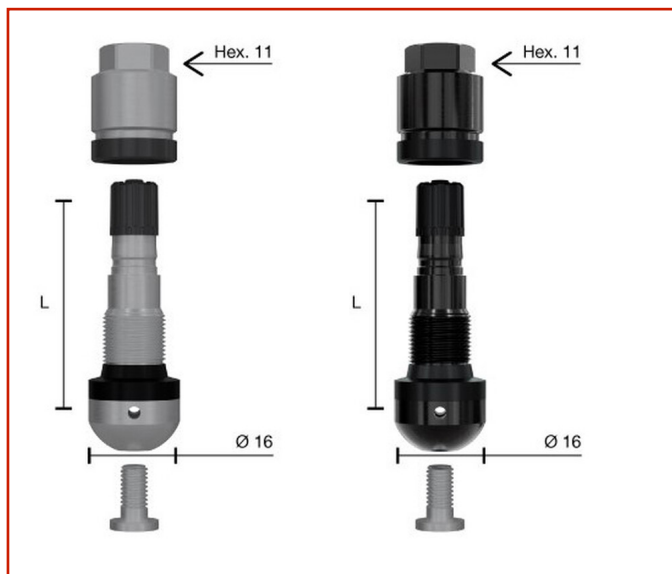


CAR / TRUCK > AUTO / AUTOCARRO - VALVE TPMS & ACCESSORY > VALVE TECH TPMS



TPMS 1320U METAL 10PZ. valves

Code: **MTP02XXXX0146**

Description Metal valves for variable-angle TPMS sensors
 Valves with standard "Two-shot" mounting
 Pre-assemble the valve with the screw and sensor
 Install the valve in the rim hole and tighten the nut, taking care to hold the valve firmly in place.
 Screw on the sensor afterwards.
 For cars and commercial vehicles
 Screw included (torque 2.5 Nm)
 Details Recommended screw torque 4 Nm
 Rim hole 11.5 mm [.453"]
 L 36 mm